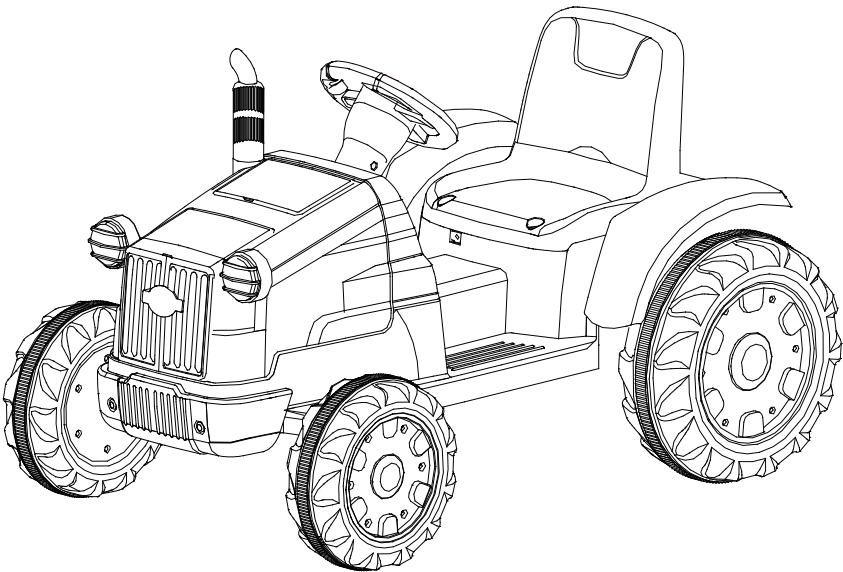


CH9959A

Ride On Car Installation and operation manual

- Forward and backward function
- Fast and slow switch
- Remote manual function
- 2.4G remote control function
- Music. Bluetooth connection for music. Radio. USB

Executive standard: EN71 and EN62115 ;



Assembly By Adult Only

Please follow real product, Photo for reference only

SAFETY

Please retain these instructions for future reference.

NOTE: For best performance, only use this vehicle on flat and hard surfaces.

Age Range: 3 to 8 years old

Weight Capacity: 35KG is the maximum weight for 1 rider (combined)

The following safety hazards may result in serious injury or death:

- This product contains small parts. Keep children away during assembly. Make sure to remove all packaging material and parts from underneath the vehicle body.
- Never open the battery. Batteries contain lead and lead compounds (acids)
- Limbs, hair, and clothing can get caught in moving parts. Always wear shoes, keep limbs away from moving parts, and do not wear loose clothing while operating this vehicle.
- This vehicle does not have brakes or braking capability. Do not leave a child unattended during operation. Do not use this in a location that may require braking capability, as this could result in loss of control, which may cause serious injury or death.
- Use of this vehicle near streets, motor vehicles, steps, bodies of water, sloped surfaces, hills, wet areas, flammable vapors, in alleys, at night, or in the dark could result in an unexpected accident.
- Use of this vehicle in unsafe conditions such as snow, rain, loose dirt, mud, sand, or gravel may result in an unexpected accident such as tipping over, and could damage the electrical system or battery.
- Do not operate this vehicle in an unsafe manner. Examples include but are not limited to:
 - Pulling the vehicle with another vehicle or similar device
 - Allowing more than two children to ride
 - Pushing the user
 - Traveling at an unsafe speed

BATTERY WARNINGS

The following safety hazards may result in serious injury or death:

- Use of a battery or charger other than the supplied rechargeable battery and charger may cause a fire or explosion. Only use the supplied battery and charger.
- Use of the rechargeable battery and charger for any other product may result in overheating, fire, or explosion. Never use the supplied rechargeable battery and charger with another product.
- Explosive gases are created during charging. Charge the battery in a well-ventilated area. Do not charge the battery near heat or flammable materials.
- Contact between the positive and negative terminals may result in fire or explosion. Avoid direct contact between the terminals. Picking up the battery by the wires or charger can cause damage to the battery and may result in a fire. Always pick up the battery by its case or handles.
- Liquids on the battery may cause fire or electric shock. Always keep all liquids away from the battery and keep the battery dry. Contact or exposure to battery leakage (lead acid) may cause serious injury. If contact or exposure occurs immediately call your physician. If the chemical is on the skin or in the eyes, flush with cool water for 15 minutes. If the chemical was swallowed, immediately give the person water or milk. Do not give water or milk if the patient is vomiting or has a decreased level of alertness. Do not induce vomiting.
- Battery posts, terminals, and related accessories contain lead and lead compounds (acid)
- Tampering or modifying the electric circuit system may cause a shock, fire or explosion and permanently damage the system. Exposed wiring and circuitry in the charger may cause electric shock. Always keep the charger housing closed.

USER WARNINGS

The following safety hazards may result in serious injury or death:

- Never leave a child unattended.
- Always sit in the seat when using this vehicle.
- Keep your hands, hair, and clothes away from moving parts.
- Always wear shoes when operating this vehicle.
- Maximum of two children are allowed in the vehicle at a time
- Children under 3 years of age cannot use the vehicle.
- Only drive on level ground.
- Do not go near swimming pools or other bodies of water, drop-offs, or up and down steep inclines.
- Do not drive the vehicle into loose dirt, mud, sand, fine gravel, or on wet surfaces.
- Do not drive the vehicle on streets or near cars.

SPECIFICATIONS

Item	Specification
Batteries	6V
Motor	6V
Age	3-8years
Max Weight	35KG
Dimension	936*659*590mm
Speed	1.8-2.2KM/H
Play Time	1-2 hours / recharger time 8-12hours
Charger	OutPut DC 6V

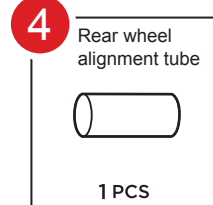
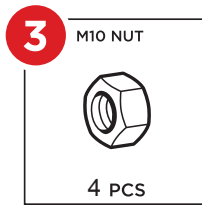
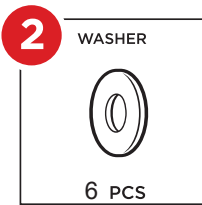
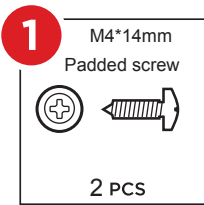
TOOLS REQUIRED



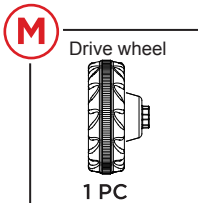
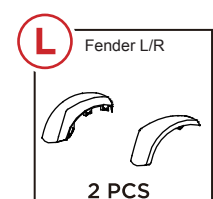
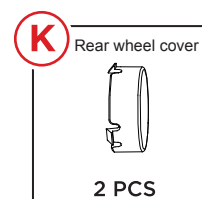
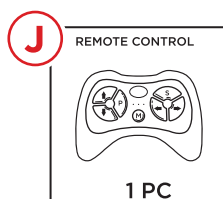
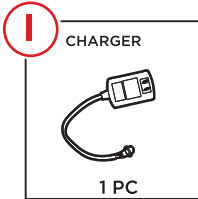
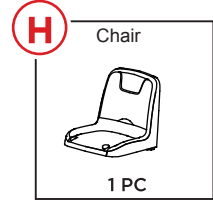
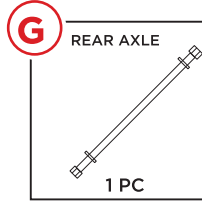
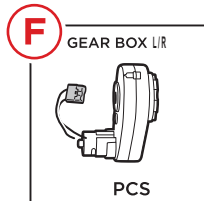
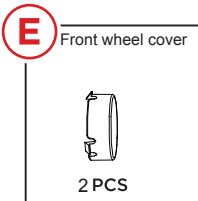
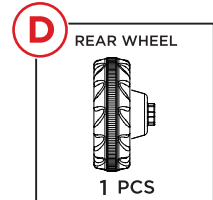
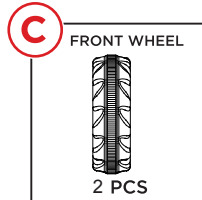
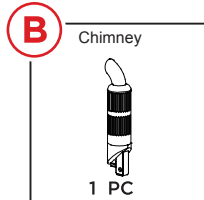
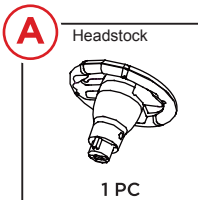
35KG



HARDWARE

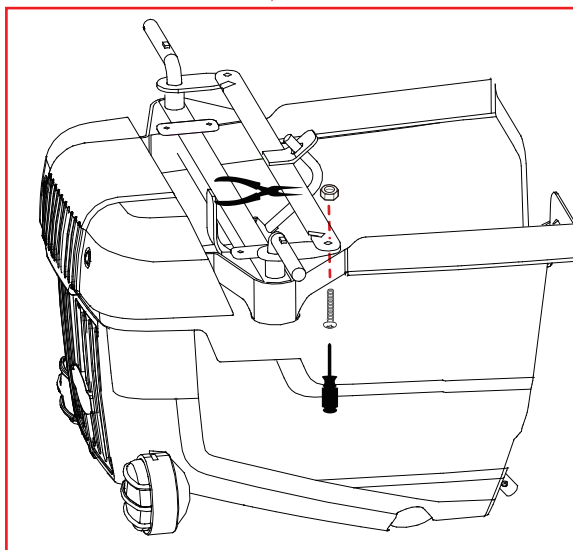
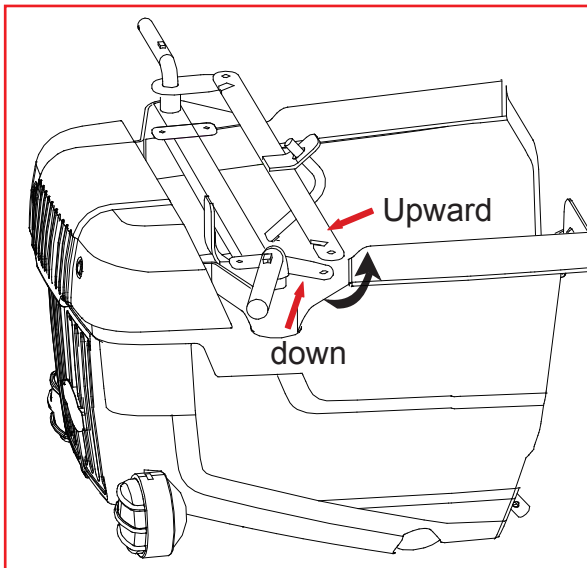


PARTS



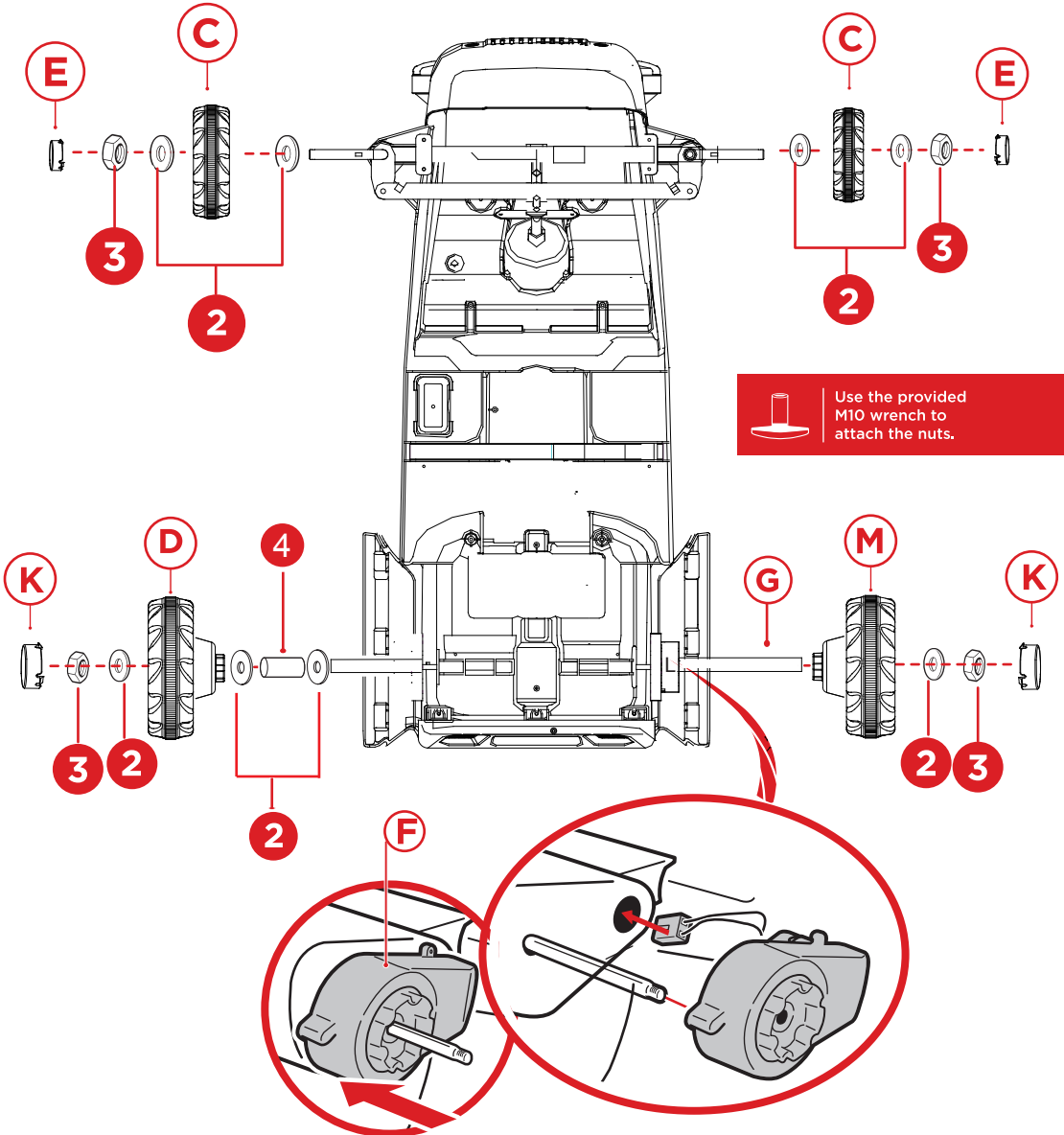
1

Adjust the steering bracket. Secure the steering bracket



PRODUCT ASSEMBLY

- 2** Put the gasket, front wheel, gasket and nut into the front axle in turn.
Fix the nut with the plate hand, and then fix the wheel cover on the wheel.

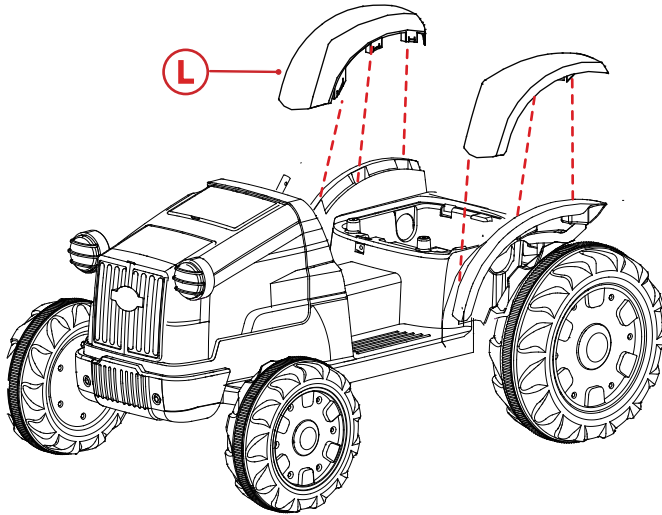


- Put the rear wheel, gasket and nut into the front axle in turn.
Fix the nut with a wrench, and then fix the wheel cover on the wheel.

PRODUCT ASSEMBLY

3

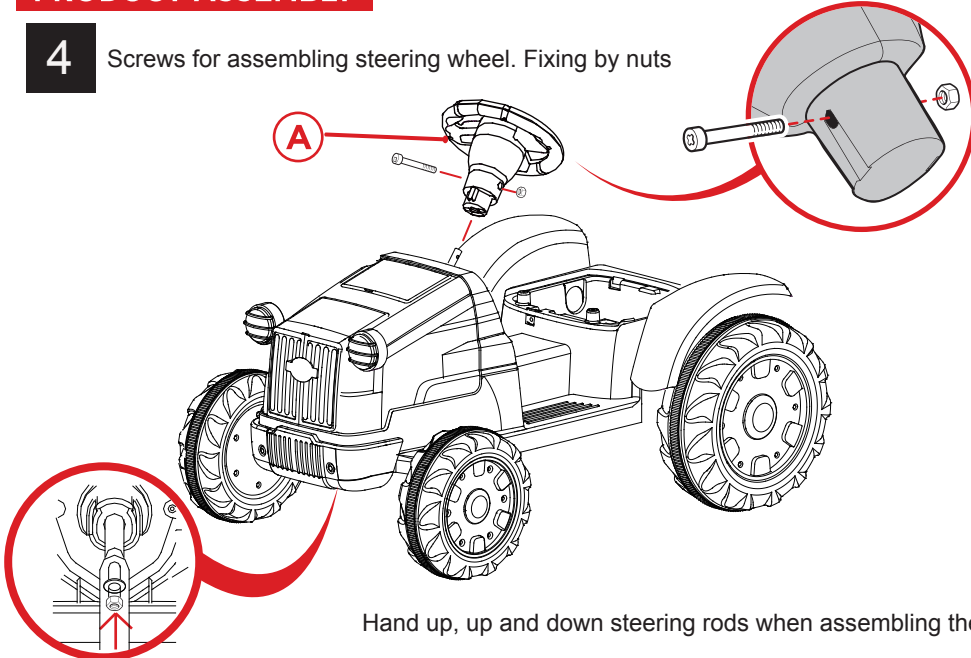
Put the fender L / R on both sides of the body



PRODUCT ASSEMBLY

4

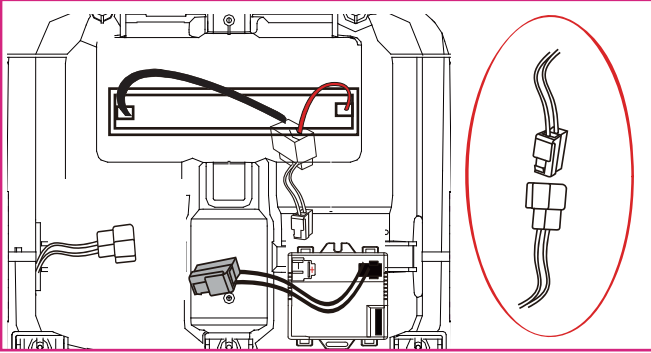
Screws for assembling steering wheel. Fixing by nuts



Hand up, up and down steering rods when assembling the headstock

5

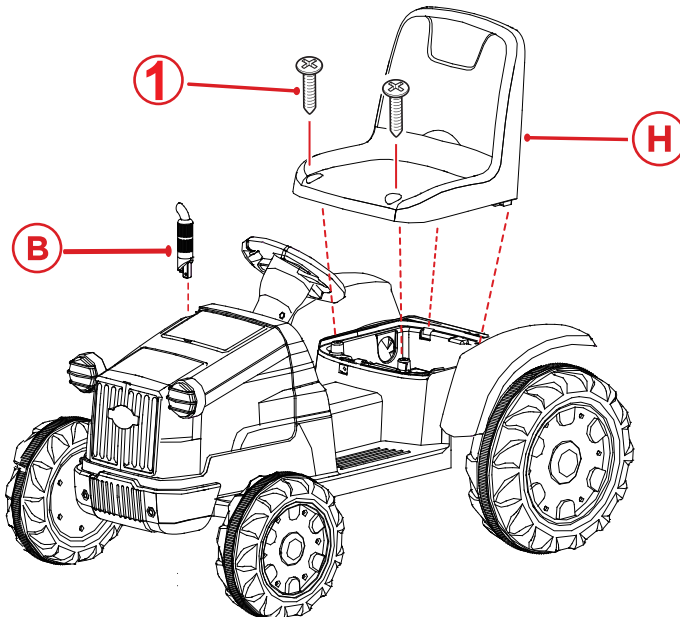
Remove the motor wire from the pocket by hand.



PRODUCT ASSEMBLY

6

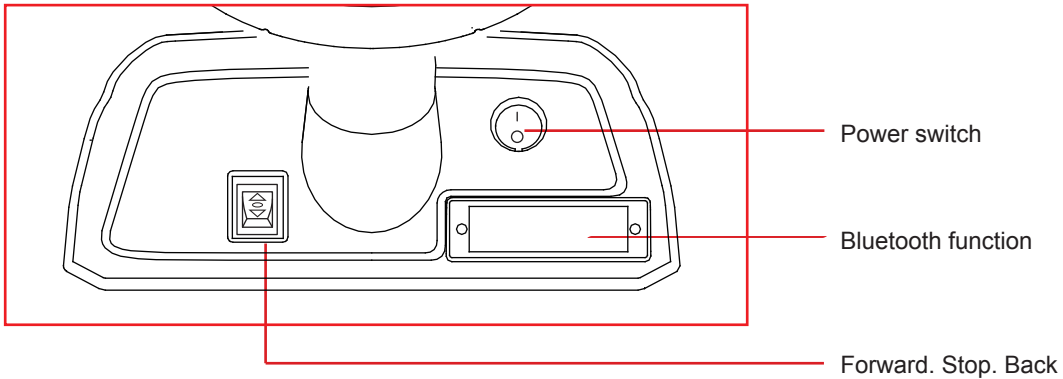
Clip the table and chair into the body and fix them with screws
Clip the chimney into the body



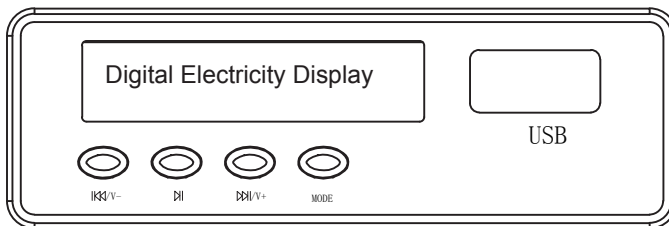
DASHBOARD DIAGRAM

7

Function introduction



Bluetooth function:



Functional description

USB

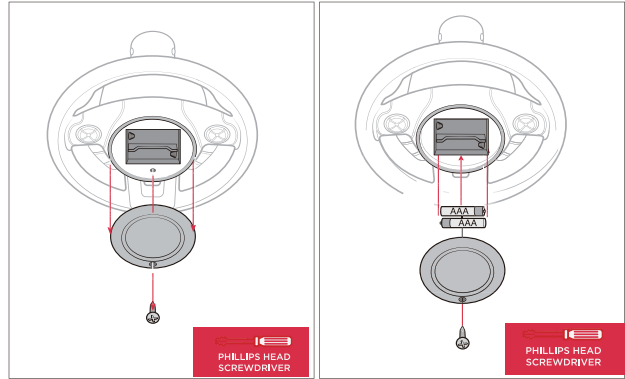
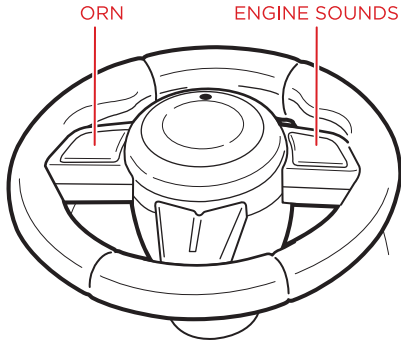
MODE: Switching mode. 1. Music. 2. Radio. 3. Bluetooth

KK/V-: Trigger the last song, reduce it by volume

KK/V+: Trigger the next song, add it by volume.

DI: Trigger pause/playback;

radio mode, press 1 second radio to search the station automatically



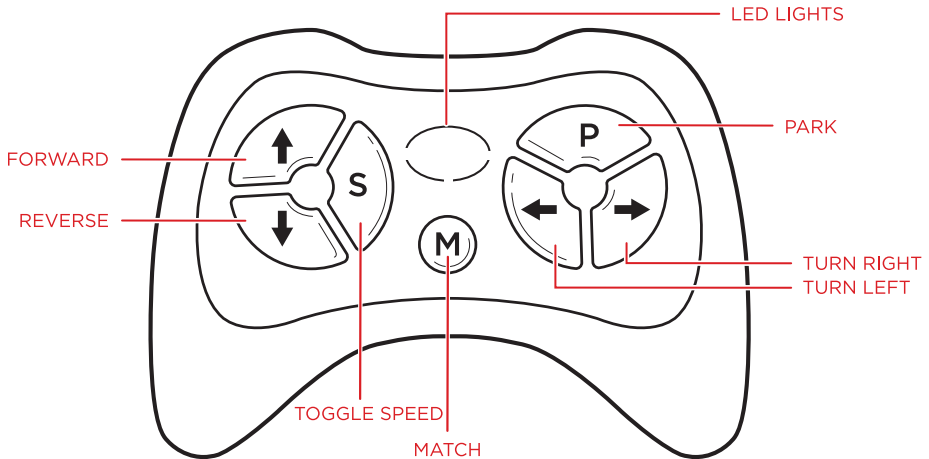
Install 2 AAA batteries in the part M steering wheel.

REMOTE CONTROL DIAGRAM

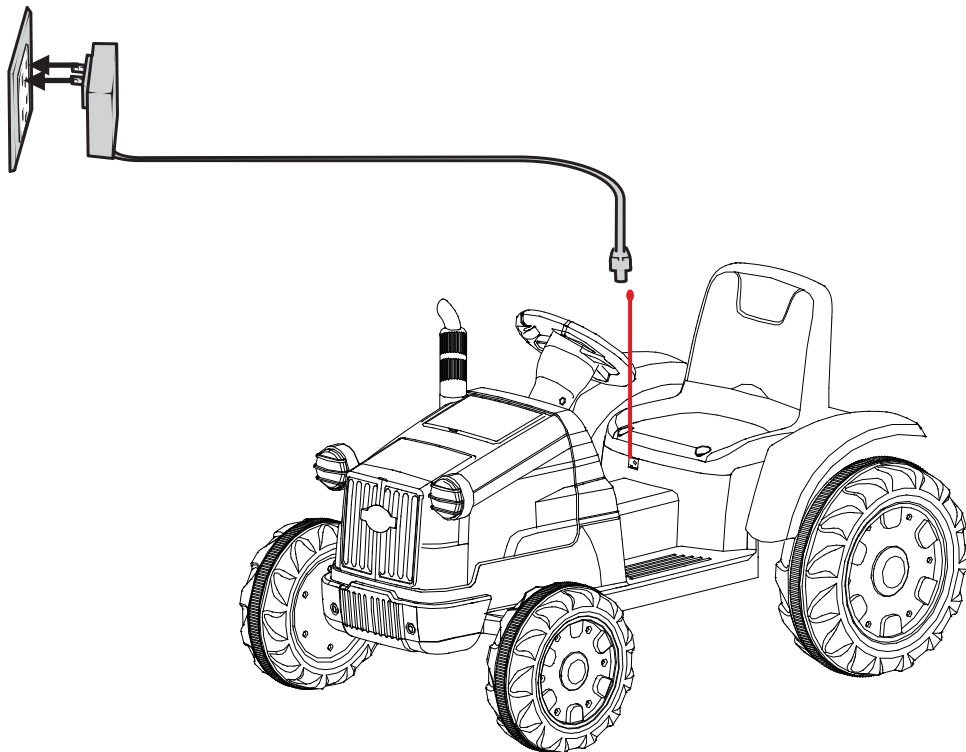
- Insert 2 AAA batteries into the remote control
- After 10 seconds of non-operation, the remote will go into power-saving mode.

Linking the remote control:

1. Press and hold the match button for 2 to 4 seconds. The LED lights will flash.
2. Turn the vehicle on. The lights will turn solid to indicate a successful link.
3. If the lights continue to flash (indicating an unsuccessful link), remove and reinsert the batteries and repeat steps 1 and 2.



CHARGING INSTRUCTIONS



The charging hole is located in the front of the seat. Insert the Q head of the charger into the charging hole. Insert the other end into the socket

- Charge the battery **15 to 18 hours** before initial use.
- On average, you will need to charge the battery between 8 and 12 hours. Do not charge the battery for more than 20 hours. Failure to charge the battery as directed could cause permanent damage to the battery and void the warranty.
- Damage to the battery may occur if it is allowed to drain completely. Do not allow the battery to drain completely.
- Check the battery and charger (supply cord, connector) for wear and damage before charging. Do not charge the battery if damage has occurred.
- Only an adult who has read and understood the safety warnings should handle, charge and recharge the battery.

CARING FOR YOUR RIDE-ON

- Park the vehicle indoors or cover it with a tarp to protect it from wet weather.
- Do not leave the vehicle in the sun for long periods of time or fading may occur. Store in shade or cover with tarp.
- Do not wash the vehicle with a hose.
- Do not wash the vehicle with soap.
- Charge battery at least once a month to prolong the life of the battery.

TROUBLESHOOTING

PROBLEM	REASON	SOLUTION
Vehicle does not move	Low battery	Fully charge the battery
	Electrical protection	Stop use for several minutes and restart
	Switch not in the correct position	Completely press in switches
	Battery connectors disconnected	Plug in battery connectors
Battery does not recharge	Battery connectors disconnected	Plug in battery connectors
	Charger not connected to socket or outlet	Completely plug in the charger
Battery does not last	Battery does not have a full charge	Fully charge the battery
Battery is warm and makes a slight noise while charging	Normal	Normal
Slow speed	Low battery	Fully charge the battery
	Overloaded vehicle	Reduce the weight on the vehicle
	Uneven or sloped road	Drive on flat pavement
Vehicles shakes while driving	Loose connection to motor	Ensure the motor is properly connected to the battery
Difficulty shifting between forward/reverse	Attempting to shift while vehicle in motion	Only shift when the vehicle is at a stop
Forward and reverse switch is flipped	Gear boxes are installed incorrectly	Make sure the L gear box is on the left and R gear box is on the right

WARNINGS REGARDING BATTERIES

- **The battery on the vehicle is not replaceable.**
- **Do not mix old and new batteries.**
Do not mix alkaline, standard (carbon-zinc), or rechargeable batteries.
- Non-rechargeable batteries should not be charged.
- Rechargeable batteries should be charged under adult supervision only.
- Exhausted batteries should be removed.
- The supply terminals should not be short-circuited.
- Do not put batteries next to or in a heat source (fire, electronic heating device, etc.).
- Do not hit batteries against hard objects.
- Do not submerge batteries in water.
- Batteries should be inserted with the correct polarity

WARNING:

- Protective equipment should be worn. Not to be used in traffic.
- The toy should be used with caution since skill is required to avoid falls or collisions causing injury to the user or third parties.
- To reduce the risk of injury, adult supervision is required. Never use in roadways, near motor vehicles, on or near steep inclines or steps, swimming pools or other bodies of water; always wear shoes, and never allow more than one rider.



WARNING: CHOKING HAZARD-Small parts.
Not for children under 3yrs.

To reduce the risk of injury, adult supervision is required. Never use in roadways, near motor vehicles, on or near steep inclines or steps, swimming pools or other bodies of water; always wear shoes, and never allow more than one rider



WARNING: ADULT ASSEMBLY REQUIRED



WARNING: Not to be used in traffic.